

FULCHEE



Copyright FULCHEE 2021

FULCHEE
QUIK TechPack



Version 1.1 June 11, 2021, Fulchee



CONTENTS

for Road Disc

TYPES OF QUIK KNOB	3
TYPE 2 DROPOUT SYSTEM	5
TYPE 2 QUIK AXLE & KNOB	7
TYPE 2 QUIK+ SYSTEM	9
TYPE 1-1 DROPOUT SYSTEM	11
TYPE 1-2 DROPOUT SYSTEM	13

CONTENTS

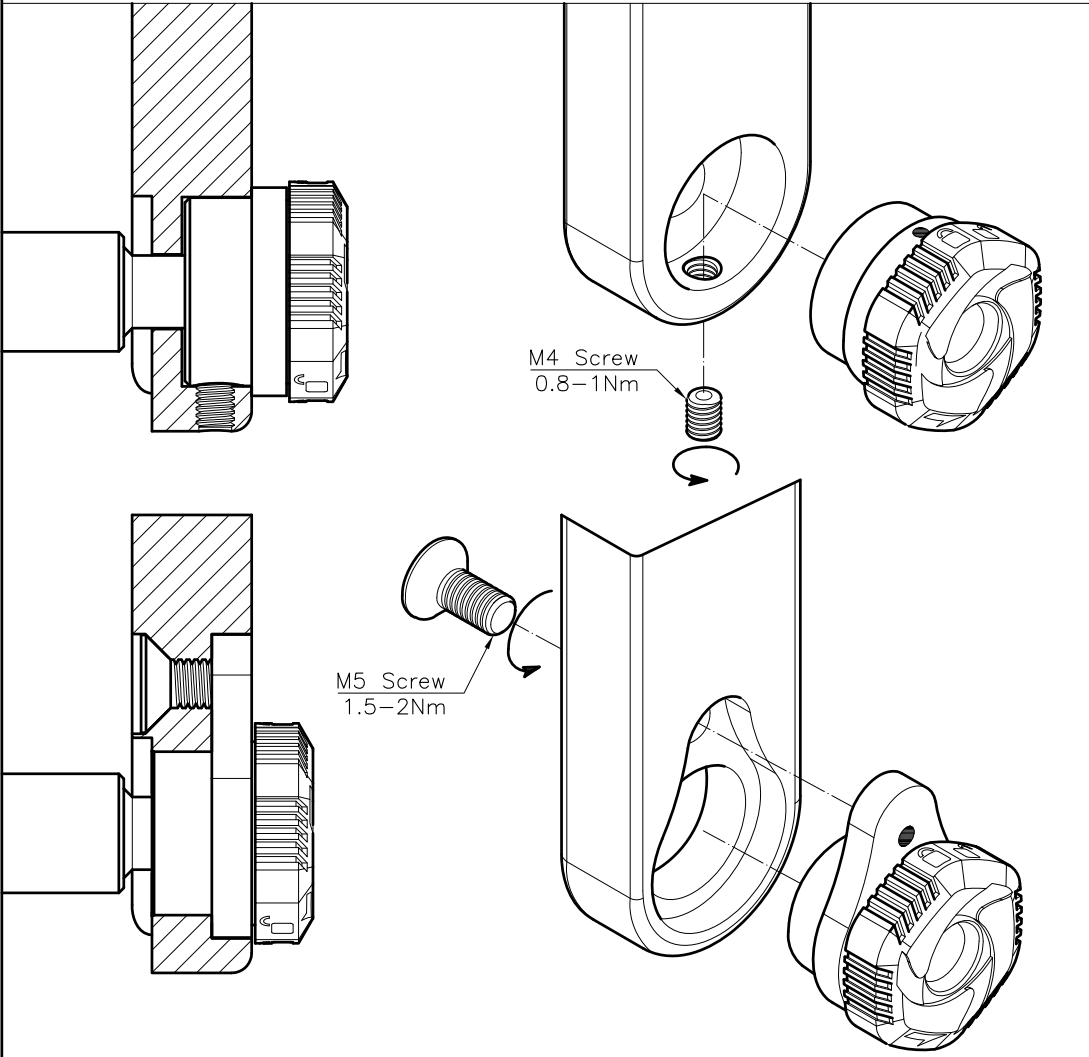
for MTB
Coming Soon

FORK DROPOUT SYSTEM
FRAME DROPOUT SYSTEM
QUIK AXLE (MTB)



Type 1

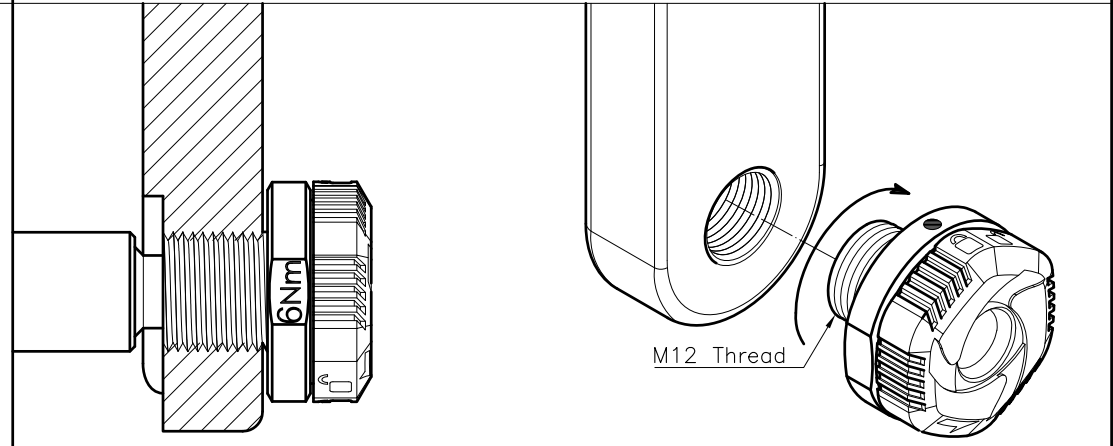
Customization



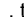
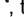
Please contact sales for any types of customization request.

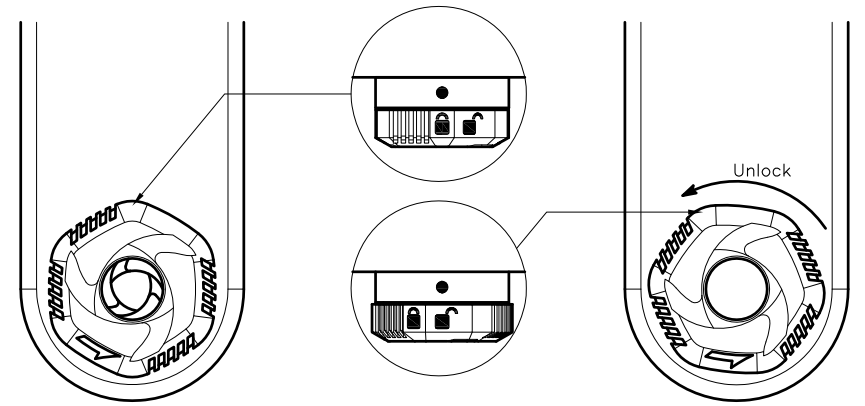
Type 2

Standard



Type 2 standard does not require any fork and frame dropout modification.

When ● is align with , the QUIK knob is locked;
When ● is align with , the QUIK knob is unlocked.



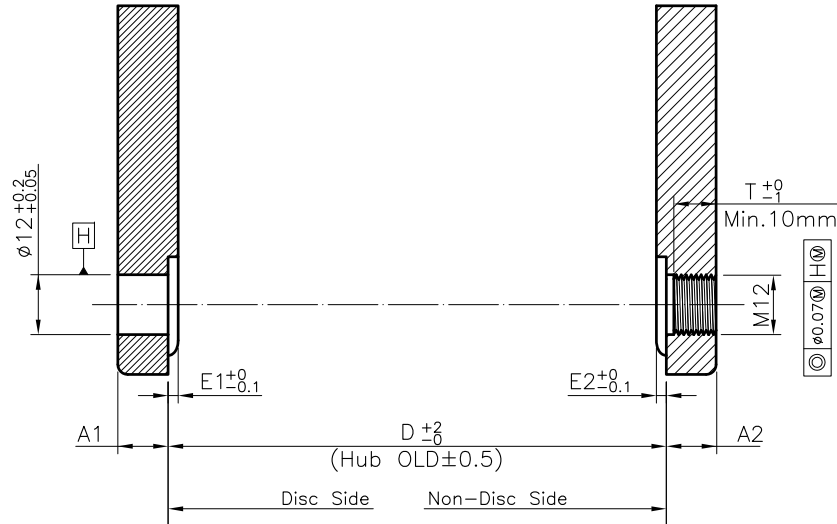
The knob is auto-reset to locked position at all time;
Twist the knob counter-clockwise to set it unlocked.



Type 2

*This is an example of fork and frame dropouts, please consider all dimensions and tolerances in bike design.

TYPE 2 DROPOUT SYSTEM

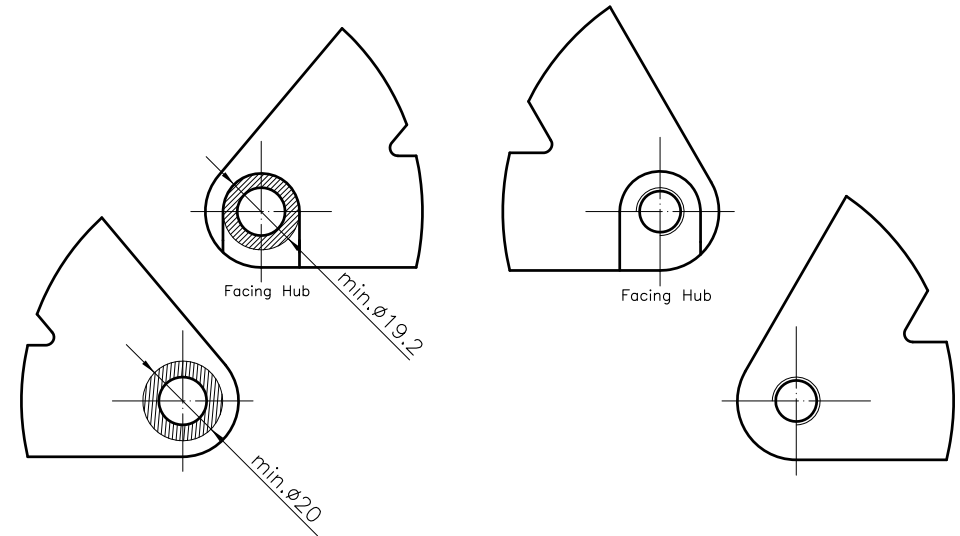
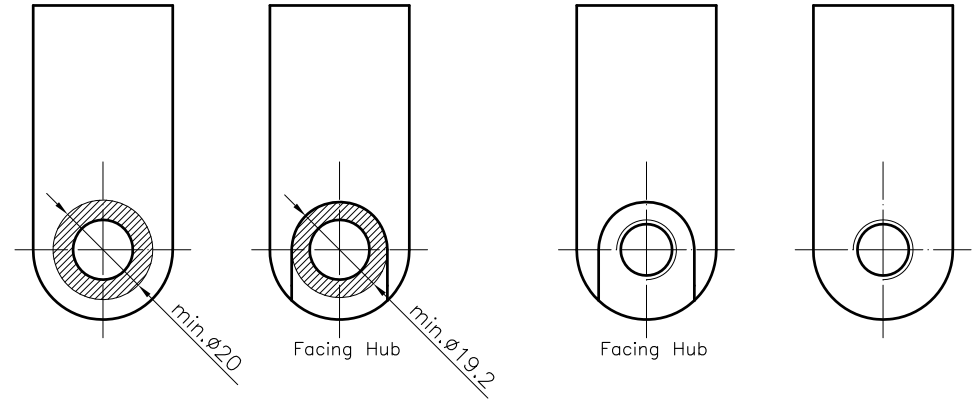


Important Note:

- * Maximum tolerance of $A+B = 0.5\text{mm}$. Tolerance of $A+B = \pm 0.5$
- * Provide the minimum dimensions of A and D; the maximum dimension of T.
- * Choose the corresponding thread pitch: M12xP1.0/ M12xP1.5/ M12xP1.75/ M12x2 P1.0/ UDH.
- * Try to fill below table to match a QUIK specification:

NO	Type	A1	A2	D	T	Thread Pitch	E1	E2
1	2							
2	2							

TYPE 2 DROPOUT DESIGN

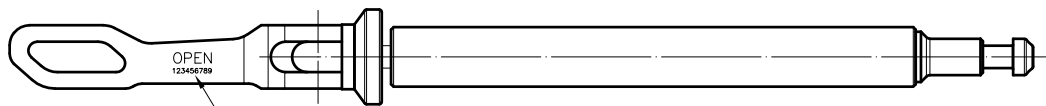
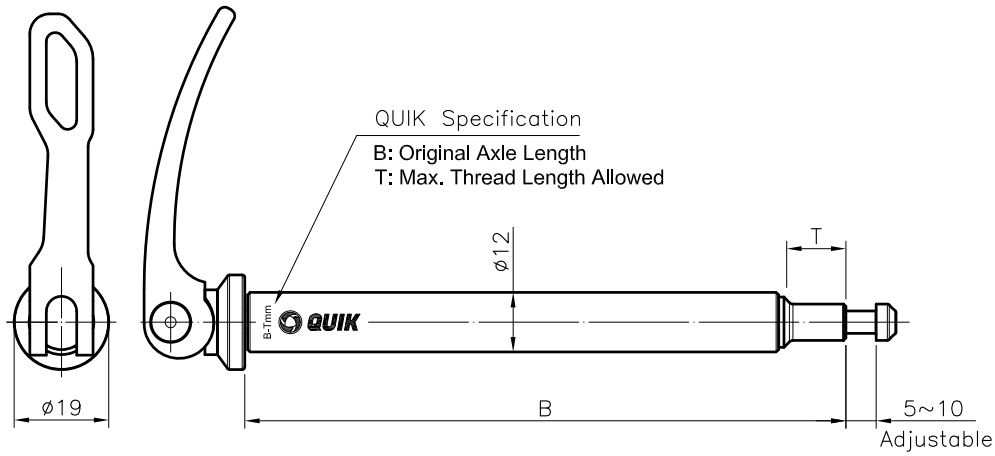




Axle

TYPE 2 QUIK AXLE

QUIK Specification
B: Original Axle Length
T: Max. Thread Length Allowed

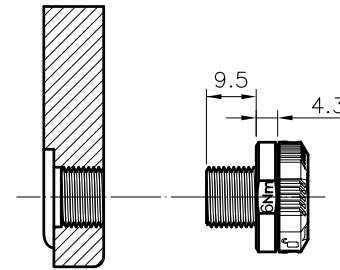


QUIK Traceability Code

Knob

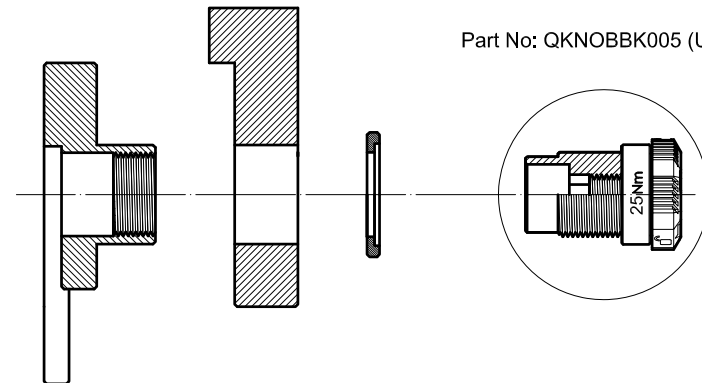
TYPE 2 QUIK KNOB

Tighten the knob to 6Nm with a 21mm Hex Socket on to the dropout.



- Part No: QKNOBBK001 (P1.0)
- Part No: QKNOBBK002 (P1.5)
- Part No: QKNOBBK003 (P1.75)
- Part No: QKNOBBK004 (M12x2 P1.0)

Tighten the UDH knob to 25Nm with a 8mm Hex on to the dropout.



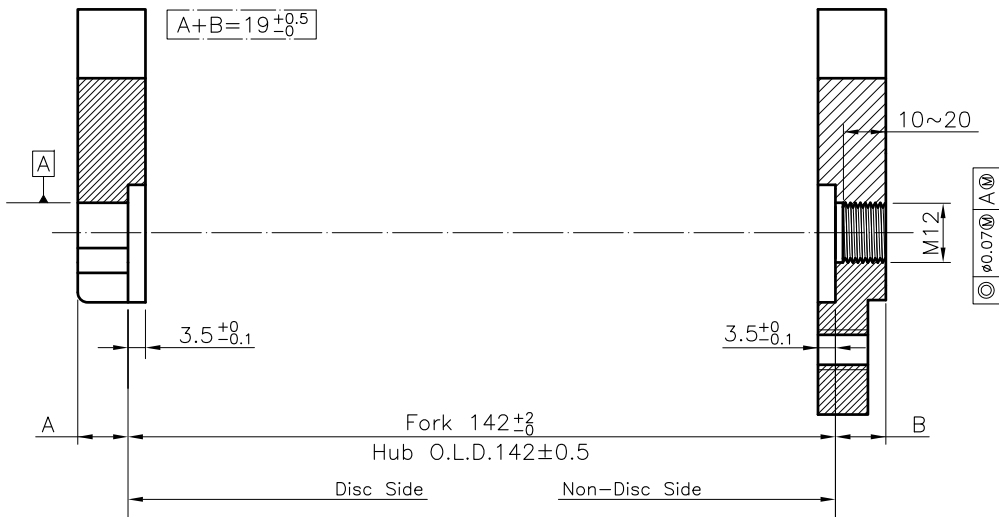
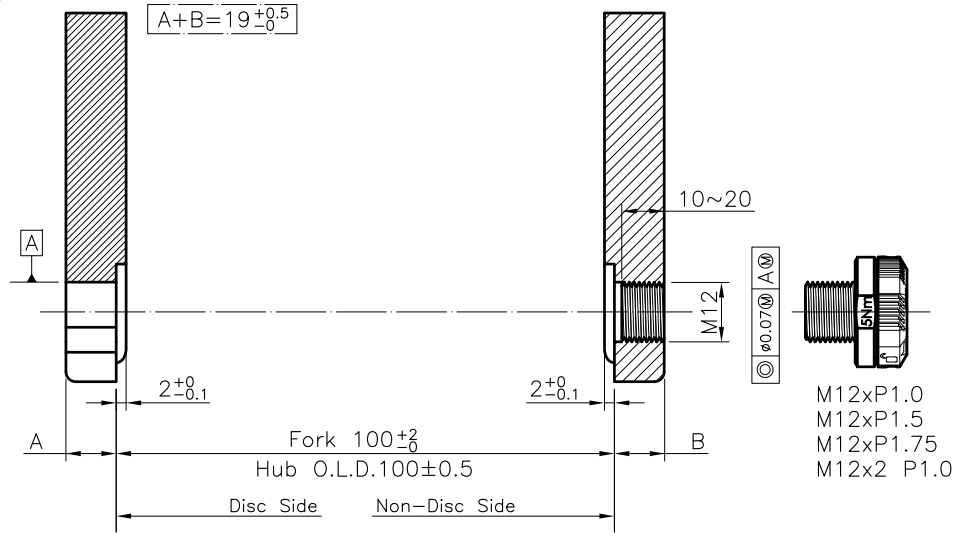
Part No: QKNOBBK005 (UDH)



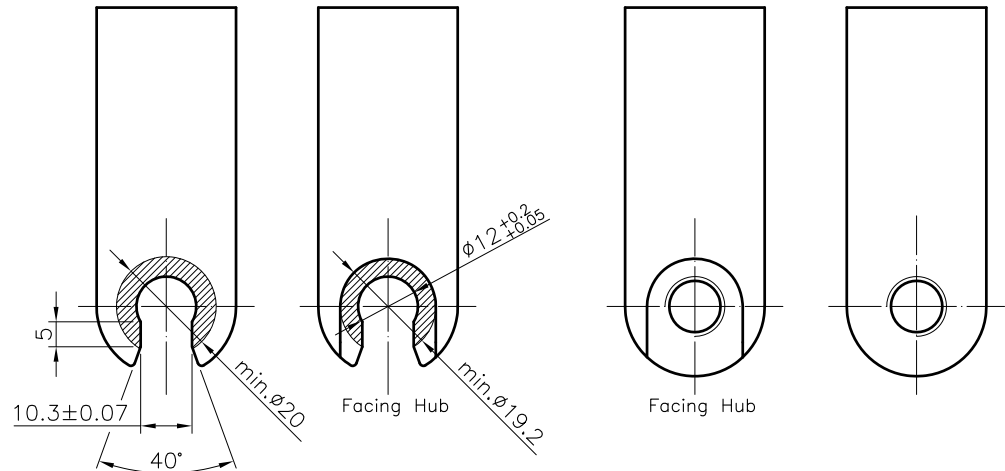
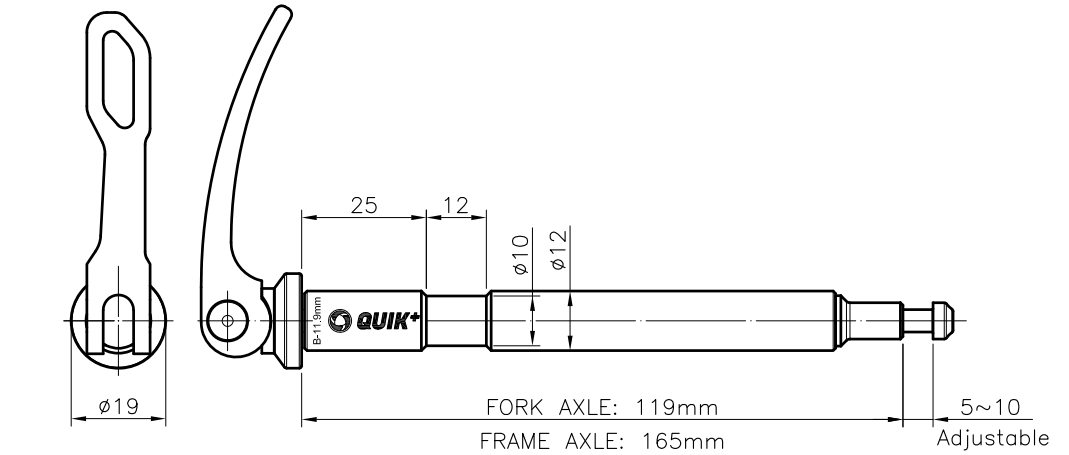
*This is an example of fork and frame dropouts, please consider all dimensions and tolerances in bike design.

Plus

QUIK+ DROPOUT SYSTEM



QUIK+ AXLE AND DROPOUT DESIGN

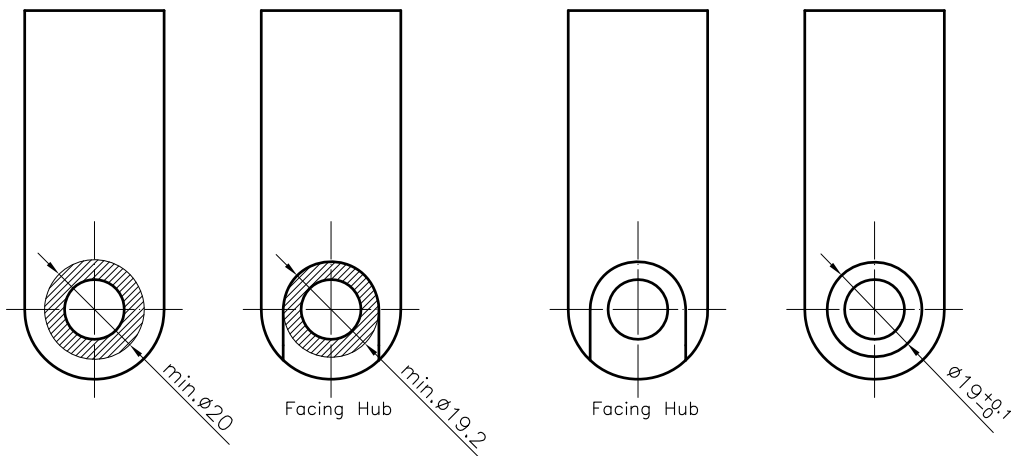
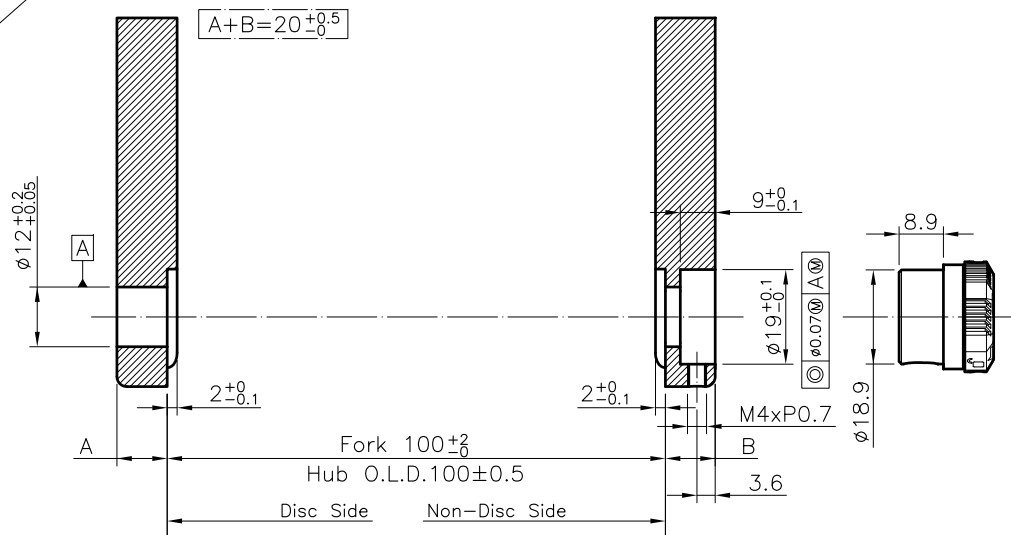




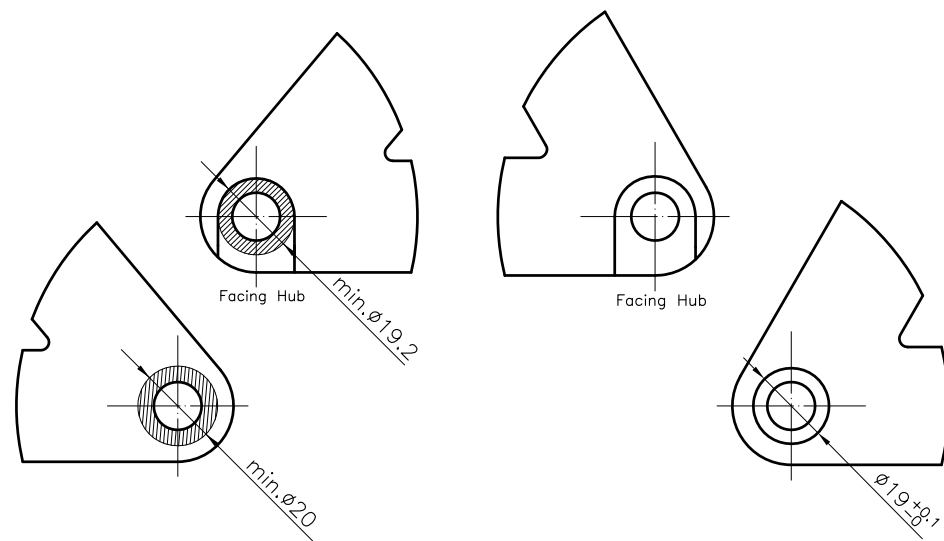
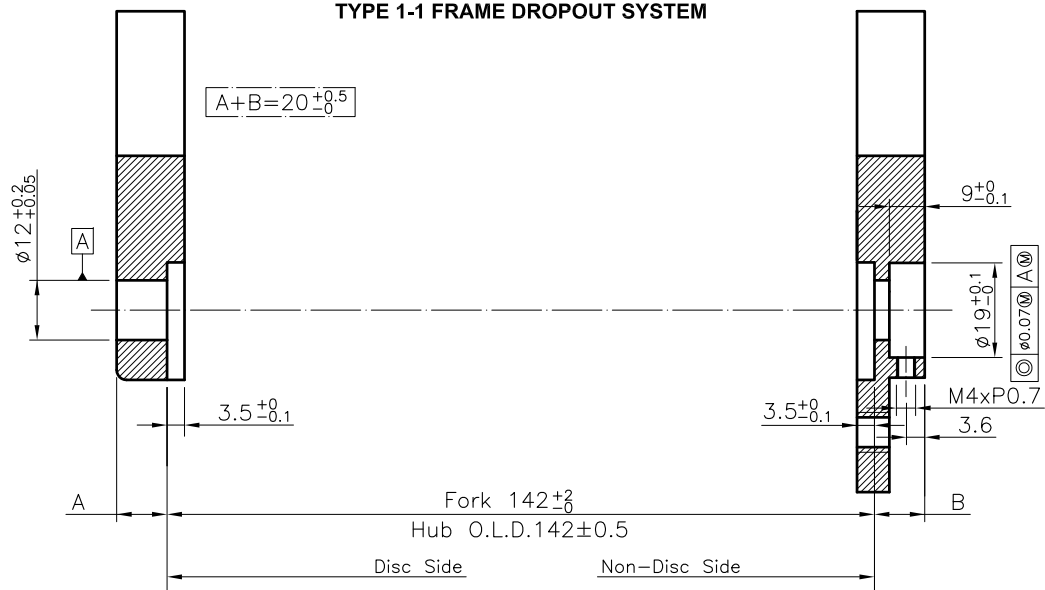
*This is an example of fork and frame dropouts, please consider all dimensions and tolerances in bike design.

Type 1-1

TYPE 1-1 FORK DROPOUT SYSTEM



TYPE 1-1 FRAME DROPOUT SYSTEM

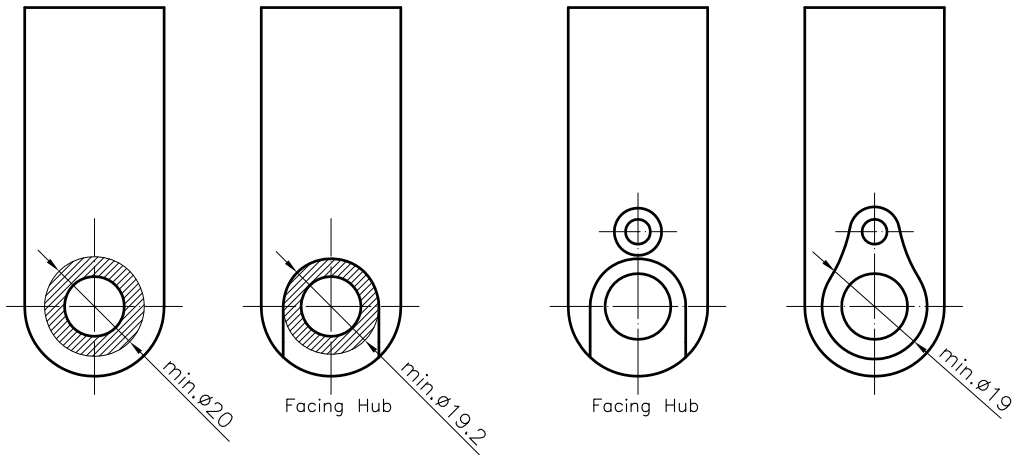
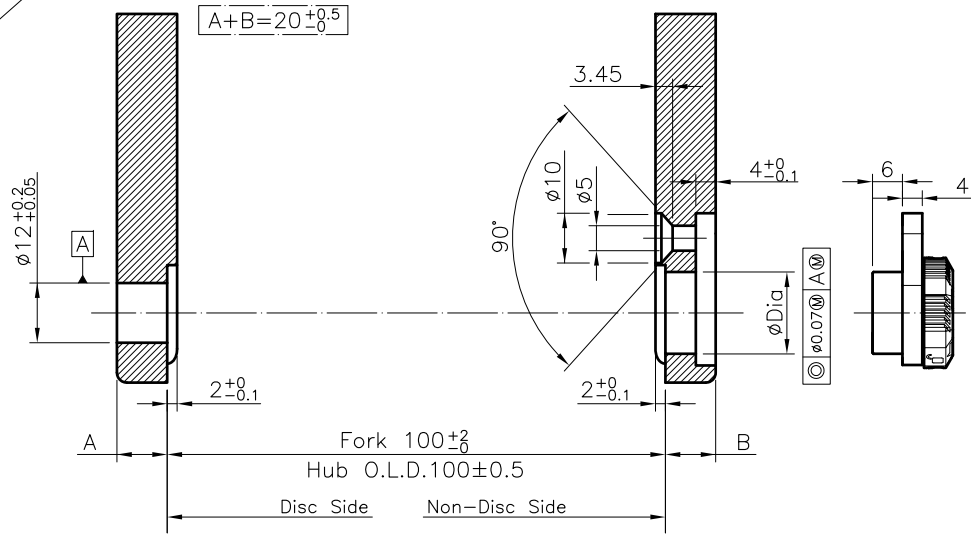




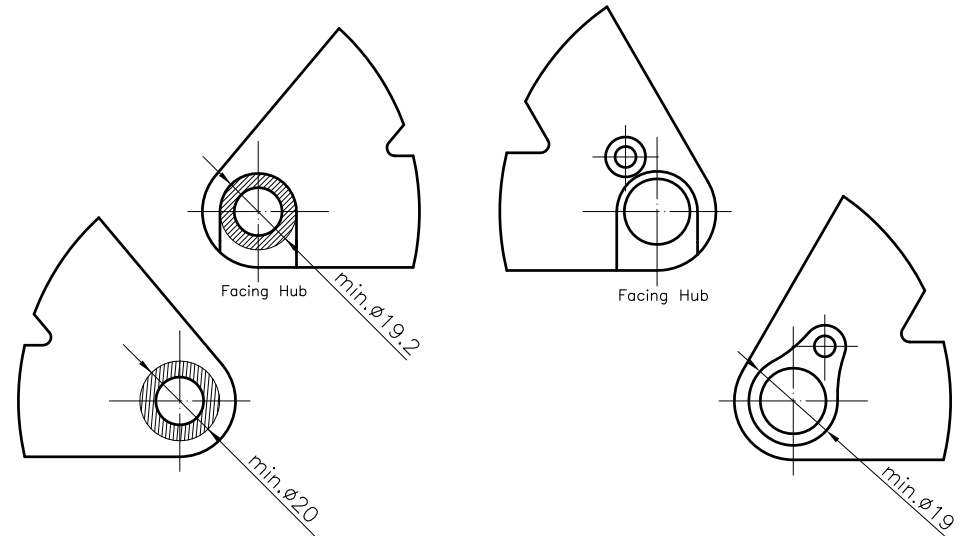
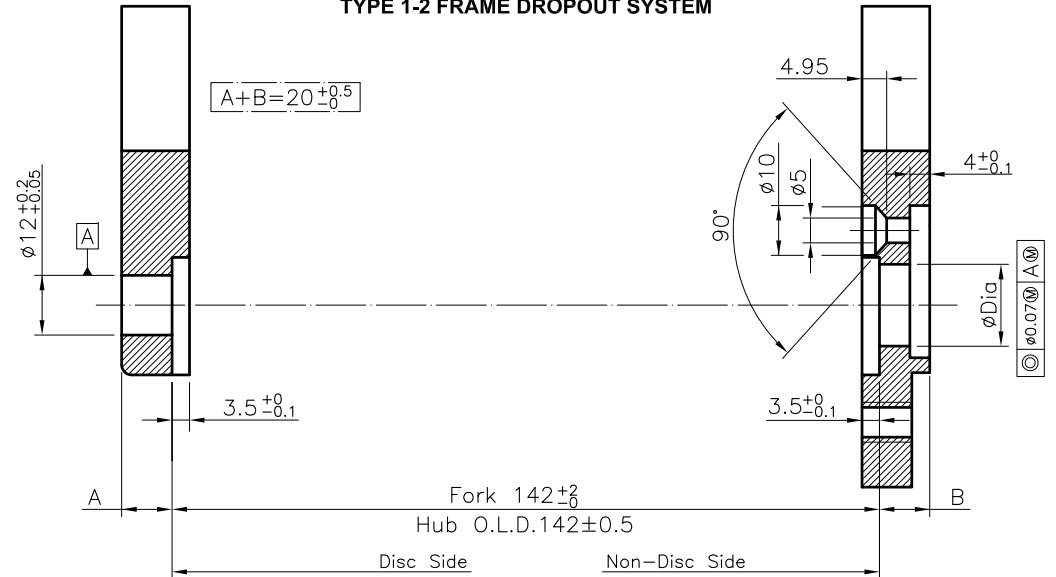
*This is an example of fork and frame dropouts, please consider all dimensions and tolerances in bike design.

Type 1-2

TYPE 1-2 FORK DROPOUT SYSTEM



TYPE 1-2 FRAME DROPOUT SYSTEM





QUIK TechPack

www.fulchee.com